



### Features:

- 10.4" TFT LCD, LED Backlit, XGA 1024\*768;
- Aluminum-magnesium alloy, Anodized treatment, modular designed;
- Multi-points (Max. up to 10 points) projective capacitive touchscreen, EETI controller;
- Default USB touch interface, optional with RS232 touch interface;
- DC 12V power input, optional with wide voltage DC 9~36V;
- Multiple DVI + VGA signal input, support synchronous and asynchronous display;
- Panel mount, support VESA 75/100 mount, Front surface IP65 rate protection.

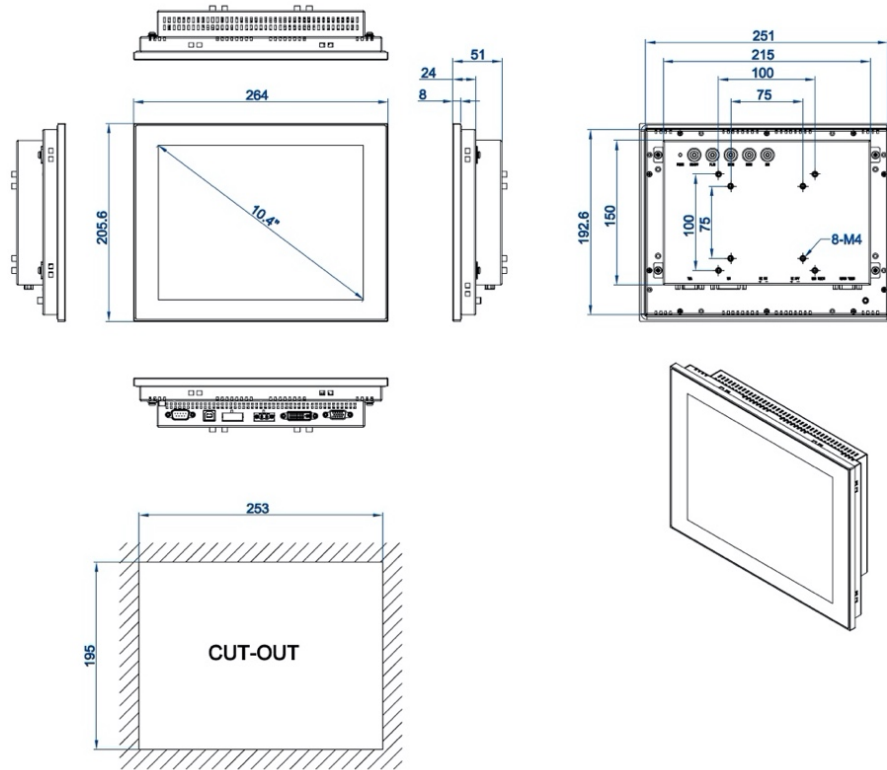
### Specification

<b>Basic</b>	Front panel	Magnesium-Aluminum alloy, anodized treatment
	Rear panel	SGCC plate sheet, sand-blasting
	Control button	OSD button on rear panel
	Signal input	1*VGA, 1* DVI
	Mount method	Panel mount, support VESA 75/100 mount
	Overall dimension	264 * 205.6 * 51 (mm)
	Cut-out dimension	253 * 195 (mm)
	Net weight	2.5KG
	IP rate	Front surface IP65
<b>LCD Display</b>	Size/Type	10.4" TFT LCD Display
	Resolution	1024 * 768 (XGA)
	Brightness	350 nits
	Contrast ratio	900:1
	Backlit & MTBF	LED backlit & 30 000 hours
	Display area	211.2 * 158.4
	View angle	75/75/75/75
<b>Touchscreen</b>	Type	Projective capacitive touchscreen
	Touch points	Multi points touch, max. up to 10 points
	Durability	>100 000 000times
	Surface hardness	Mohs 6H
	Special treatment	Anti-fingerprint (AF)
	Touch controller	EETI
<b>Power &amp; Environmental</b>	Operating temp.	-20 ~ + 70 (°C)
	Storage temp.	-30 ~ + 80 (°C)
	Relative Humidity	10 ~ 95% @ 10C (No condensation)
	Vibration	50 ~ 500 Hz, 1.5G, 0.15mm peak to peak
	Shock	10G/Peak (11 ms)
	Power input	DC 12V (Optional wide voltage DC 9~36V)
	Power consumption	About 10W
	EMC	CE/FCC Class A

DIMENSIONAL DRAWING:TM-PC104

**Dimension**

Unit:mm



DIMENSIONS IN MILLIMETERS

TAICENN  
DATE:2019.06.06  
REV:A Unit:mm

**Ordering info.**

Part no.	Description
TM-PC104	10.4" LCD, 1024*768, Pcap. touch, USB interface, 1*VGA, 1*DVI, DC 12v
TM-PG104	10.4" LCD, 1024*768, <b>No touch (Tempered glass)</b> , 1*VGA, 1*DVI, DC 12v
TM-PC104S	10.4" LCD, 1024*768, Pcap. touch, <b>RS232 Touch interface</b> , 1*VGA, 1*DVI, DC 12v
TM-PC104W	10.4" LCD, 1024*768, Pcap. touch, USB interface, 1*VGA, 1*DVI, <b>DC 9~36v (default no PSU)</b>
TM-PC104L	10.4" LCD, 1024*768, Pcap. touch, <b>High brightness option</b> , 1*VGA, 1*DVI, DC 12v
TAC-DVI2HDMI	HDMI to DVI convert cable, 1.8m length
TAC-DVI1	DVI cable, 1.8m length
TAC-COM1	COM cable, around 1.8m length (For TM-PC104S)
TPS-T40W12D1	40W power supply (For TM-PC104W)

**Packing List**

1x Standard Product
1x 40W PSU (Power supply)
1x USB cable (For touch), 1.8m length
1x VGA cable, 1.8m length
1x Power cable & Plug
8x Panel mount metal clips